

Installation Instructions

Attention! This document is a guide only. S-5! assumes no liability for any specific application. This product may not be suitable for every roof profile. To avoid potential damage, visit our [website](#) or scan the QR code to the right for warning information.



You can also view **load test results** where applicable, or contact your **S-5! distributor** for more information.

What's Included in Your Box

**Broken-box quantities may vary*

- (8) PVKONCEAL Module Skirts (length 96")
- (32) S-5! Tabs
- (40) Screws with prefinished black caps

What You'll Need for Installation

- Screw Gun*
- 5/16" Hex Socket

How to Install PVKONCEAL

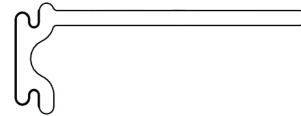
1. Peel off the protective plastic film from the PVKONCEAL module skirt.
2. With the PVKIT EdgeGrabs loose (**Fig 1**), insert the S-5! tabs into the EdgeGrabs' slots. (**Fig 2**)

Components

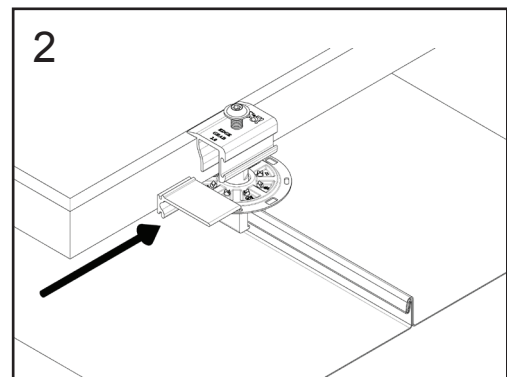
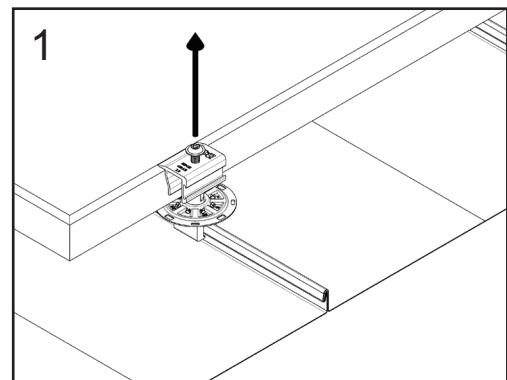
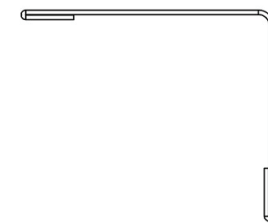
12-14 x 7/8 Black Head Cap Screw



S-5! Tab



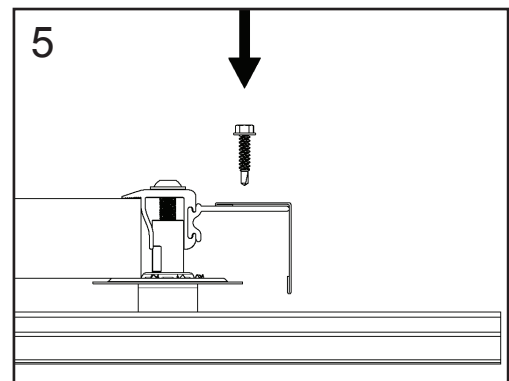
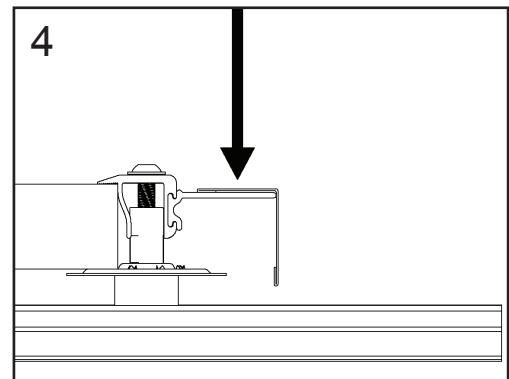
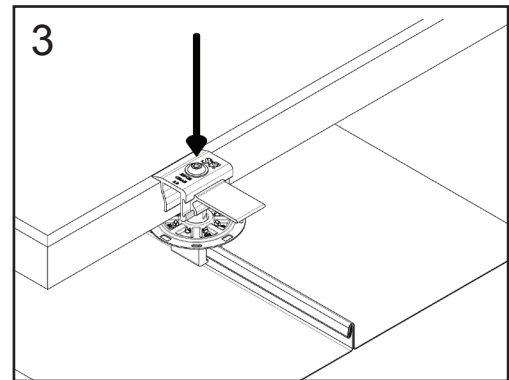
PVKONCEAL Module Skirt



3. Use the Bit Tip to tighten down the EdgeGrabs and lock the tabs in place. **(Fig 3)**
4. Set the PVKONCEAL skirt on top of the S-5! tabs. **(Fig 4)** Secure the top of the skirt into the tabs using the provided screws. **(Fig 5)**
5. To accommodate the length of the array at the seams, slightly overlap the adjacent module skirt.

*** For time-saving tool recommendations, call S-5!**

NOTE: Any S-5! warranty and/or calculation may be void if hardware is used that was not furnished by S-5! directly or through one of their authorized distributors.



S-5!® Warning! Please use this product responsibly!

Products are protected by multiple U.S. and foreign patents. For published data regarding holding strength, fastener torque, patents, and trademarks, visit the S-5! website at www.S-5.com.
 Copyright 2021, Metal Roof Innovations, Ltd. S-5! products are patent protected. S-5! aggressively protects its patents, trademarks, and copyrights.
 PVKONCEAL-V1.0-1213