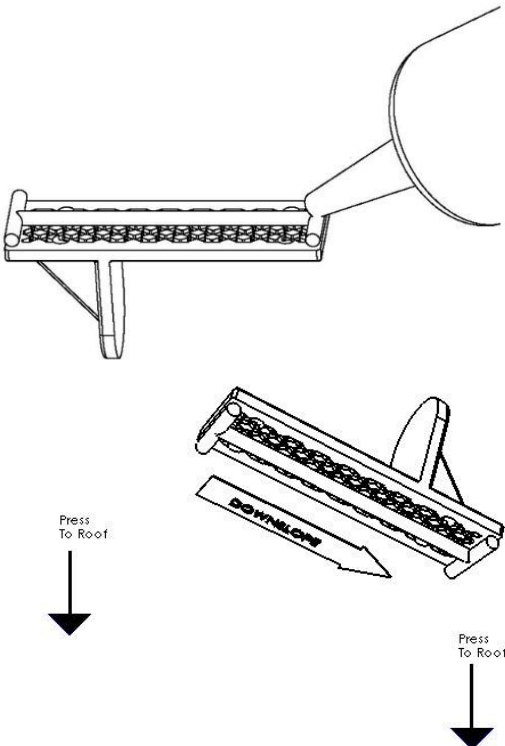


### SNOW GUARD SPACING & QUANTITY CALCULATIONS:

Use our snow guard layout and spacing calculator for instant calculation of snow guard spacing, quantity, adhesive needed, and price.

Our calculator is at: <https://sno-safe.com/spacing.html>

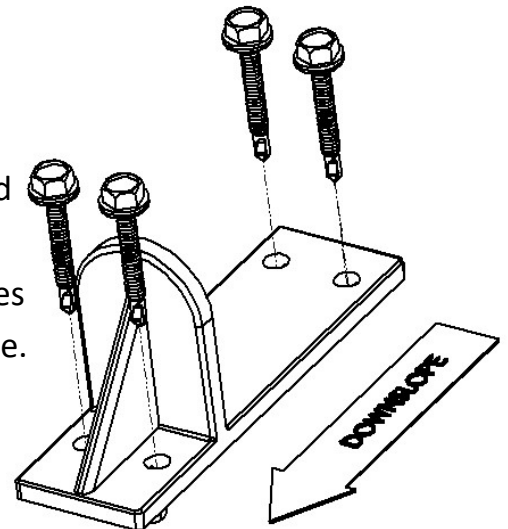


### SNOW GUARD INSTALLATION USING ADHESIVE SEALANT:

1. Mark the locations on the roof where the snow guards will be fastened.
2. Clean these locations using isopropyl alcohol and wipe off any residue.
3. Allow alcohol to fully evaporate and do not allow the alcohol to come into contact with the snow guard.
4. Generously apply adhesive to the underside of the snow guard as shown.
5. Press the snow guard firmly to the roof, allowing a thin bed of adhesive to remain underneath the snow guard.
6. Ensure adhesive squeezes out from all 4 edges of snow guard and leave as is. Do not wipe.

### SNOW GUARD INSTALLATION USING SCREWS:

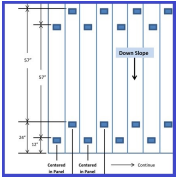
1. Mark the locations on the roof where the snow guards will be fastened.
2. Generously apply adhesive to the underside of the snow guard as shown.
3. Press snow guard firmly to the roof ensuring adhesive squeezes out from all 4 edges of snow guard and leave as is. Do not wipe.
4. Fasten snow guards using four (4) #12 self-drilling neoprene washer roofing screws. Exercise care to not over tighten the screws.



# INSTALLATION INSTRUCTIONS

## Sno-Safe **WIDE** Snow Guard

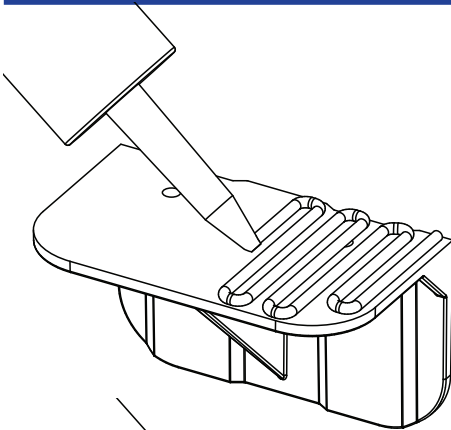
See our installation videos on our website <https://sno-safe.com>



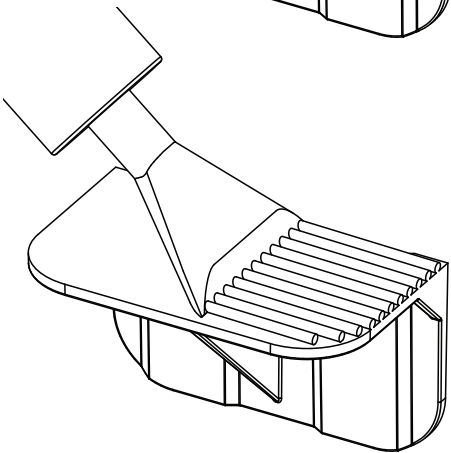
### SNOW GUARD SPACING & QUANTITY CALCULATIONS:

Use our snow guard layout and spacing calculator for instant calculation of snow guard spacing, quantity, adhesive needed, and price.

Our calculator is at: <https://sno-safe.com/spacing.html>



Adhesive Application with standard nozzle.



Adhesive Application with Sno-Safe nozzle.

### SNOW GUARD INSTALLATION USING ADHESIVE SEALANT:

1. Mark the locations on the roof where the snow guards will be fastened.
2. Clean these locations using isopropyl alcohol and wipe off any residue.
3. Allow alcohol to fully evaporate and do not allow the alcohol to come into contact with the snow guard.
4. Generously apply adhesive to the underside of the snow guard as shown.
5. Press the snow guard firmly to the roof allowing a thin bed of adhesive to remain underneath the snow guard.
6. Ensure adhesive squeezes out from all 4 edges of snow guard and leave as is. Do not wipe.

### SNOW GUARD INSTALLATION USING SCREWS:

1. Mark the locations on the roof where the snow guards will be fastened.
2. Apply sealant to the base of snow guard.
3. Press snow guard firmly to the roof.
4. Fasten snow guards using two (2) #12 self-drilling neoprene washer roofing screws. Exercise care to not over tighten the screws.

