

S-5![®]

The Right Way

The right way to attach almost anything to metal roofs!

Installation Instructions

Attention! This document is a guide only. S-5! assumes no liability for any specific application. This product may not be suitable for every roof profile. To avoid potential damage, visit our www.S-5.com or scan the QR code to the right for warning information.



You can also view **load test results** where applicable, or contact your **S-5! distributor** for more information.

CanDuit's flexibility allows it to be attached to:

- S-5! clamps for standing seam metal roofs.
- S-5! brackets for exposed-fastened metal roofs.
- S-5!'s GRipperFix[®] utility strut system.

Installation will vary depending on product used. Individual instructions are listed below.

What's Included in Your Box

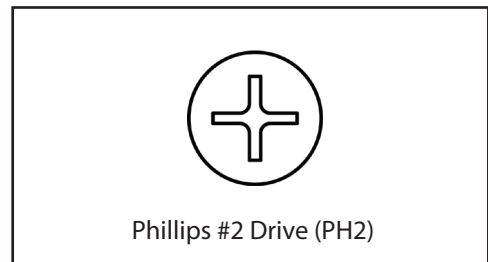
- Pre-assembled CanDuit clamps of the specified part number

What You'll Need for Installation

- Screw Gun or Screwdriver*

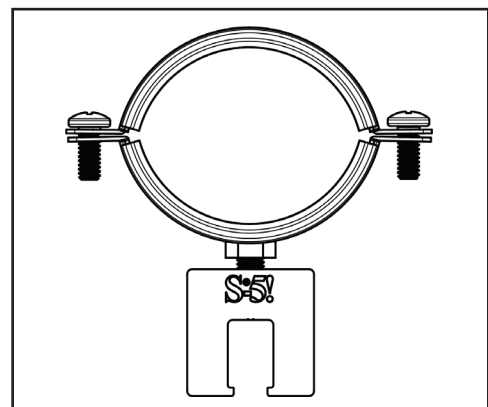
*For time-saving tool recommendations, contact S-5!

Note: If attaching to GRipperFix strut, an M8 flange nut must be purchased separately. See www.s-5.com/hardware for details.



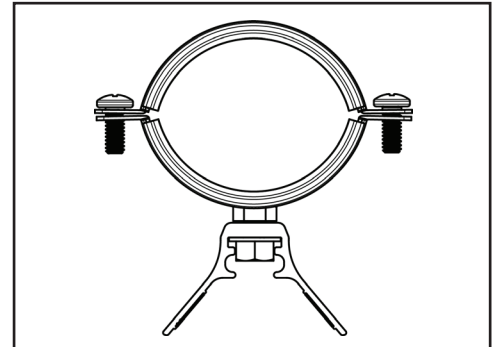
How to Install CanDuit on S-5! Clamps

1. Insert the CanDuit into the threaded M8 hole on top (or side) of the S-5! clamp. Continue to thread into the S-5! clamp to the extent possible to obtain the desired orientation.
2. Remove one screw from the top of the CanDuit clamp to open the strap. Insert appropriately sized conduit/pipe and secure the strap over the conduit/pipe using a Phillips screwdriver.



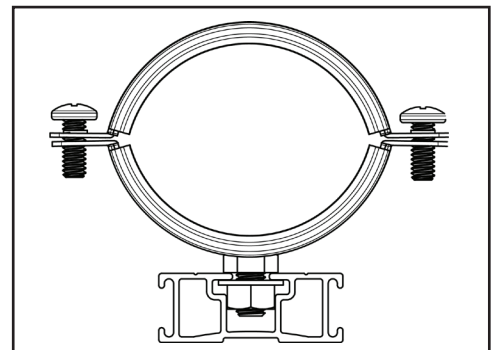
How to Install CanDuit on S-5! Brackets

1. Thread the CanDuit M8 stud into the M8 nut included with S-5! bracket. Arrange the clamp in desired orientation and tighten the stud.
2. Remove one screw from the top of the CanDuit clamp to open the strap. Insert appropriately sized conduit/pipe and secure the strap over the conduit/pipe using a Phillips screwdriver.



How to Install CanDuit on GRipperFix

1. Slide the M8 flange nut* into the GRipperFix channel. Place at the desired location and hand-thread the CanDuit clamp through the channel into the nut. Continue to thread into the M8 flange nut to the extent possible to obtain the desired orientation.
2. Remove one screw from the top of the CanDuit clamp to open the strap. Insert appropriately sized conduit/pipe and secure the strap over the conduit/pipe using a Phillips screwdriver.



***Nut must be purchased separately.**

Note: The GRipperFix strut is normally used with the channel facing upwards but may also be used with the channel facing downwards. When the channel faces downwards, pipes may be suspended using the CanDuit clamp (if roof profile clearances allow.)

S-5!® Warning! Please use this product responsibly!

Products are protected by multiple U.S. and foreign patents. For published data regarding holding strength, fastener torque, patents, and trademarks, visit the S-5! website at www.s-5.com.
Copyright 2022, Metal Roof Innovations, Ltd. S-5! products are patent protected. S-5! aggressively protects its patents, trademarks, and copyrights.
CanDuit-V1.0-0427